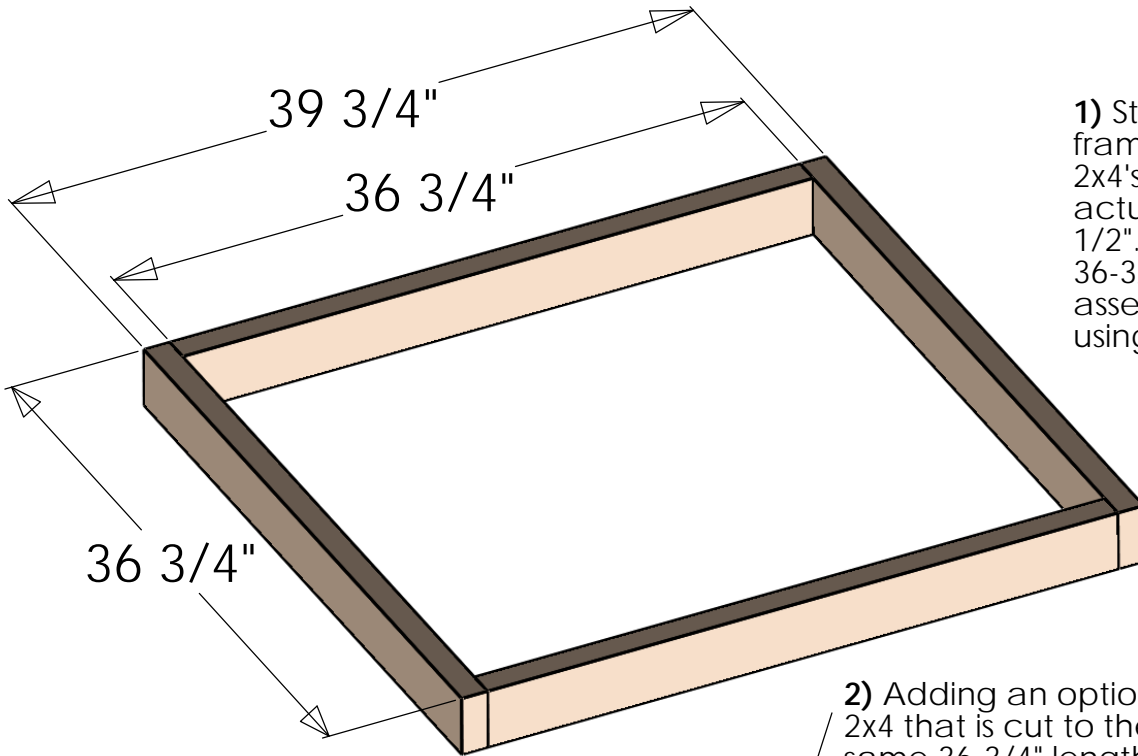
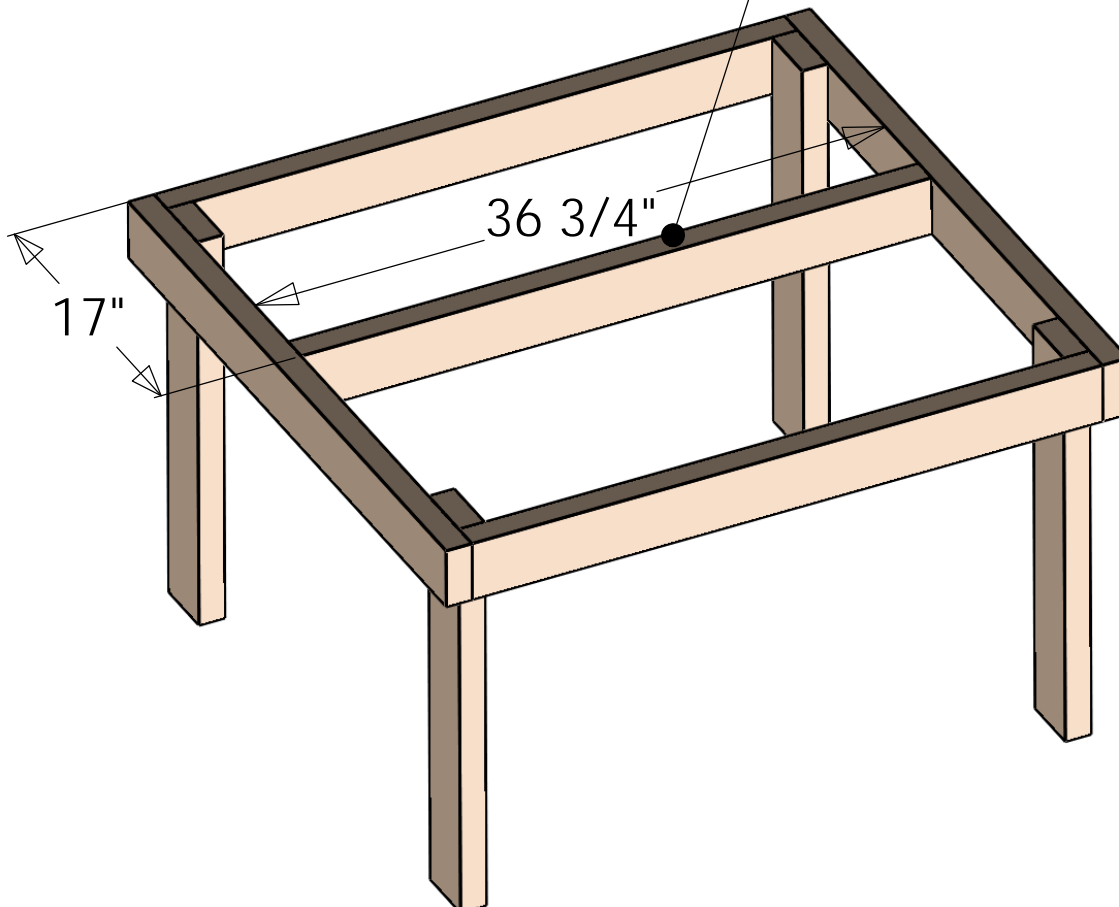


BUILDING A WOOD STAND FOR YOUR SNAP LOCK CHICKEN COOP



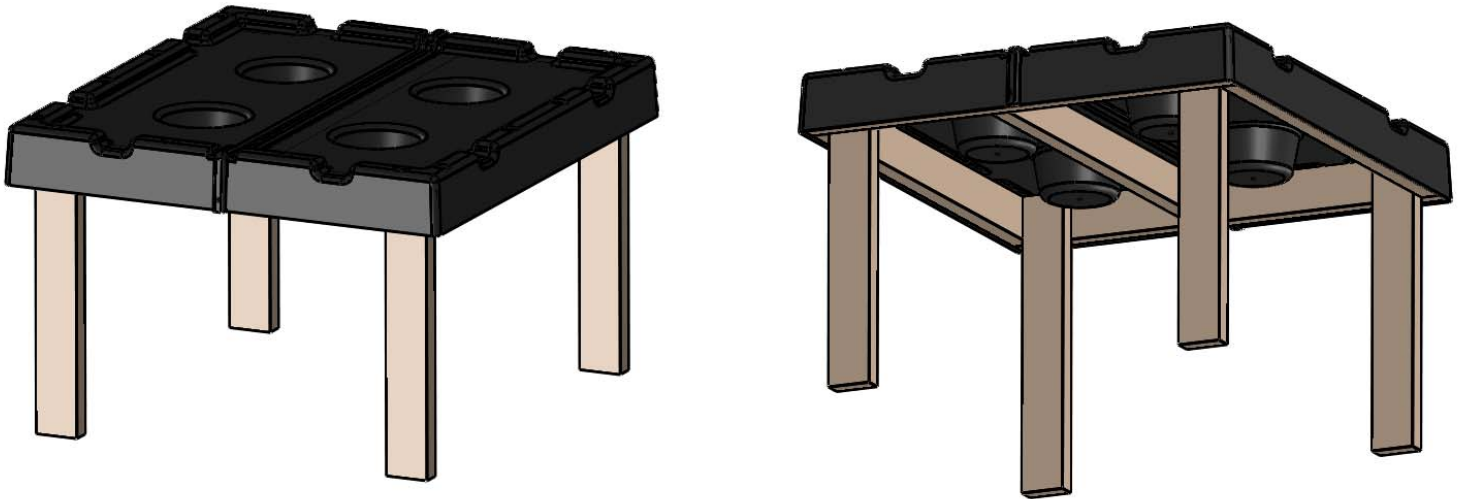
1) Start by building a simple frame from four standard 2x4's. (Note: Standard 2x4's actually measure 1-1/2" x 3-1/2".) Cut all four boards to 36-3/4" lengths and then assemble them as shown using either nails or screws.

2) Adding an optional 2x4 that is cut to the same 36-3/4" length will add extra support and will also allow you to hang a feeder or waterer underneath the coop.

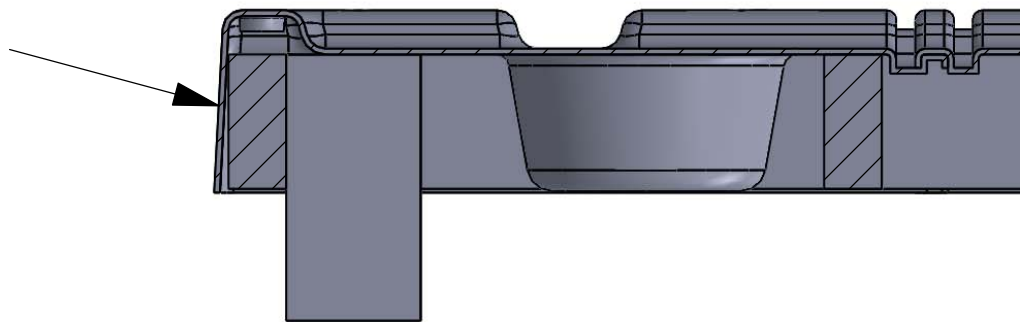


3) Four legs can now be added. Whether you use 2x4's, 4x4's, pressure treated, non-pressure treated, and length of cut, is your preference. We can suggest that building a stand with about 24" of clearance underneath the coop, leaves room for your hens to utilize the space and also keeps the coop at a good ergonomic height for cleaning and egg collection.

4) The base of the coop will fit over and cover the wood frame.



5) The base can now be secured to the frame by driving screws or nails through the sides of the base and into the wood frame. There is no need to predrill holes.



6) Adding a stand to your coop will require you to add a ramp also. Your ramp should be about 12" wide and the length should be over twice the height of your stand. It should also have 1/2" to 1" cleats every 4 to 6 inches and be well sanded in order to prevent splinters. Attach the top of the ramp just below the door by nailing or screwing it directly to the base and frame.